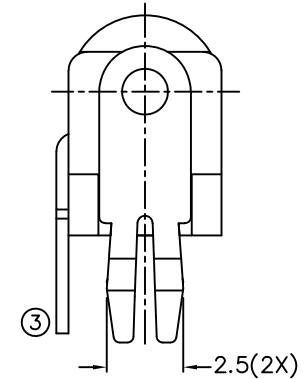
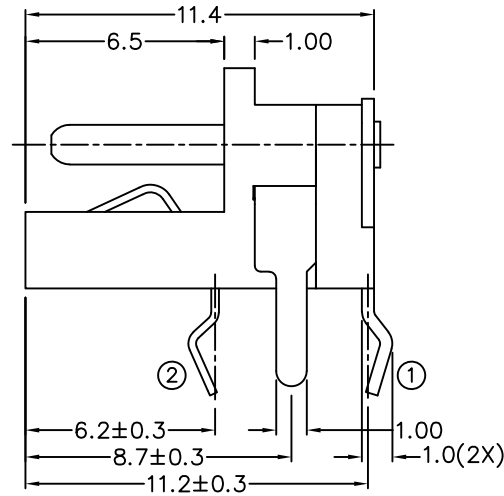
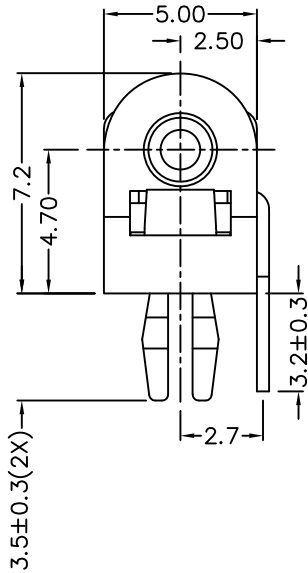


RoHS
Compliant

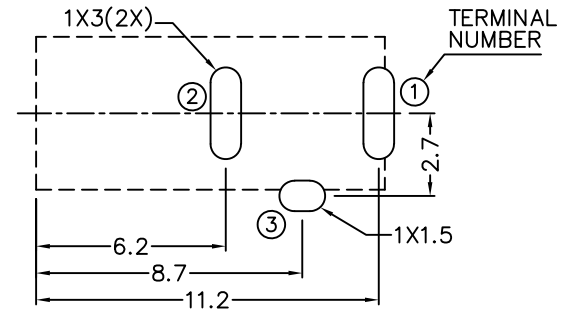
ZONE	SYMBOL	REVISION	APPROVAL	DATE
		ADJUST THE RECOMMENDED DC MATING PLUG	J.X.KUANG	8-10-2019



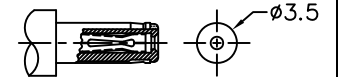
MODEL NO.	LDC-007H-2
SCHEMATIC	
CENTER PIN	ø1.000mm
	ø1.300mm

* MATERIAL

CENTRE PIN : COPPER
 TERMINAL 1 : BRASS
 TERMINAL 2 : COPPER ALLOY
 TERMINAL 3 : BRASS
 HOUSING : THERMOPLASTIC
 COVER : THERMOPLASTIC



RECOMMENDED PCB LAYOUT
 TOLERANCE: ±0.05
 (TOP VIEW)



RECOMMENDED
 DC MATING PLUG



LINKPLEX TECHNOLOGY LIMITED

PART NAME	HIGH CURRENT DC POWER SOCKET	TOLERANCE UNLESS	0.0±0.2	UNIT:
PART NO.	LDC-007H-2	OTHERWISE SPECIFIED:	0.00±0.1 0.000±0.05	

DESIGN	T.Y.LI	DATE	17-9-2005	SCALE	4:1
DRAWING	H.Q.ZHOU	DATE	8-10-2019	MATERIAL	*
CHECK	H.L.TAN	DATE	8-10-2019	DWG. NO.	TZ\DC007H-2-B/1.1
APPROVAL		DATE	11-10-2019	SHEET	