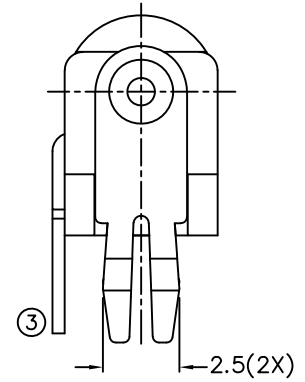
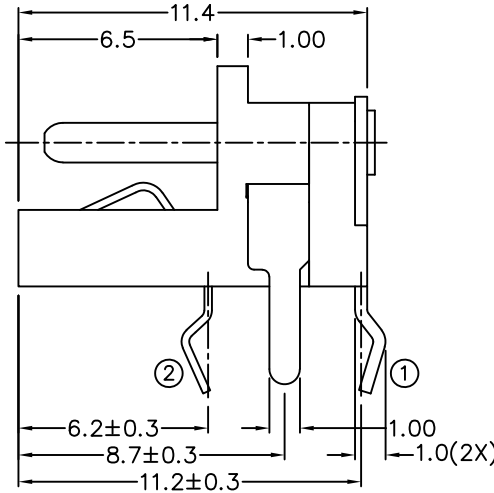
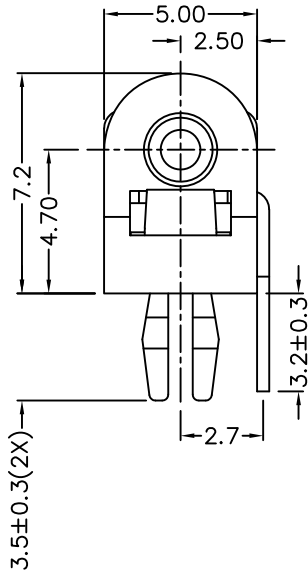


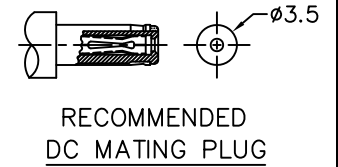
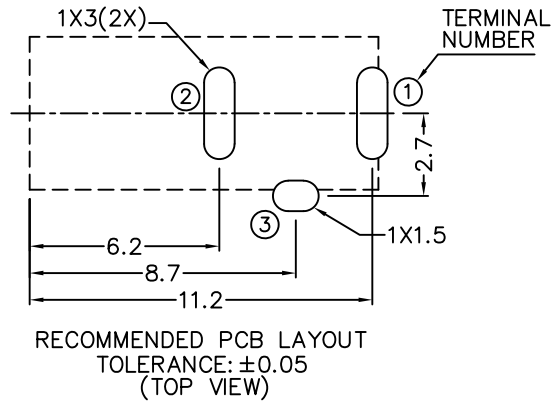
RoHS  
Compliant

ZONE	SYMBOL	REVISION	APPROVAL	DATE
		ADJUST THE RECOMMENDED DC MATING PLUG	J.X.KUANG	8-10-2019



MODEL NO.	LDC-007-2
SCHEMATIC	
CENTER PIN	ø1.000mm
	ø1.300mm

\* MATERIAL  
 CENTRE PIN : COPPER  
 TERMINAL 1 : BRASS  
 TERMINAL 2 : COPPER ALLOY  
 TERMINAL 3 : BRASS  
 HOUSING : THERMOPLASTIC  
 COVER : THERMOPLASTIC



LINKPLEX TECHNOLOGY LIMITED

PART NAME	DC POWER SOCKET	TOLERANCE UNLESS	0.0±0.2	UNIT:	mm	DESIGN	T.Y.LI	DATE	17-9-2005	SCALE	4:1
PART NO.	LDC-007-2	OTHERWISE SPECIFIED:	0.00±0.1			DRAWING	H.Q.ZHOU	DATE	8-10-2019	MATERIAL	*
			0.000±0.05			CHECK	H.L.TAN	DATE	8-10-2019	DWG. NO.	TZ\DC007-2-B/1.1
						APPROVAL		DATE	11-10-2019	SHEET	