

F

E

D

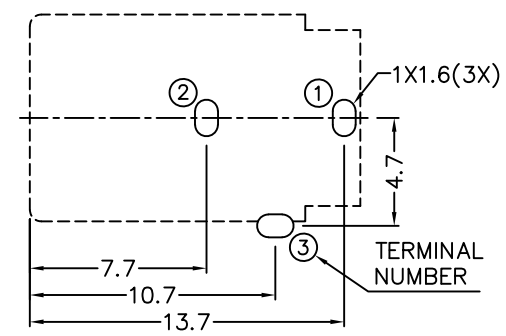
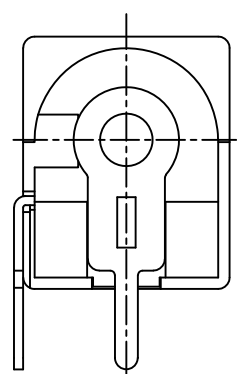
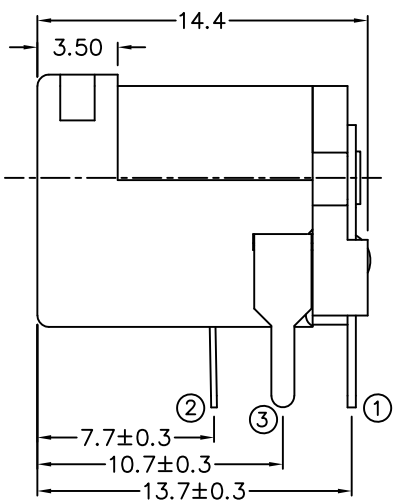
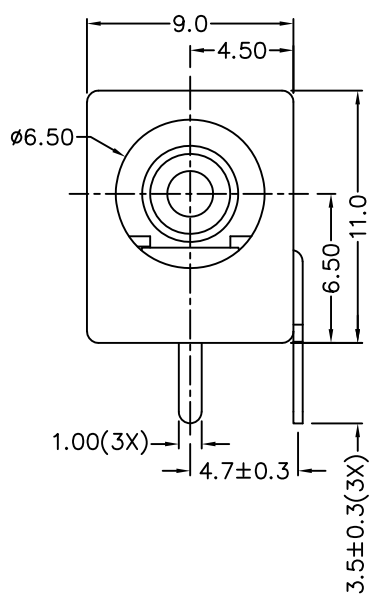
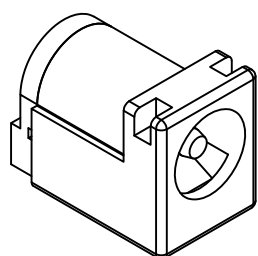
C

B

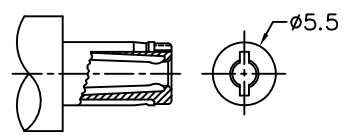
A

ZONE	SYMBOL	REVISION	APPROVAL	DATE

RoHS  
Compliant



RECOMMENDED PCB LAYOUT  
TOLERANCE: ±0.05  
(TOP VIEW)



DC MATE PLUG

MODEL NO.	LDC-002H-3
SCHEMATIC	
CENTER PIN	ø1.65mm
	ø2mm
	ø2.5mm

\* MATERIAL  
 CENTRE PIN : COPPER  
 TERMINAL 1 : BRASS  
 TERMINAL 2 : COPPER ALLOY  
 TERMINAL 3 : BRASS  
 HOUSING : THERMOPLASTIC  
 COVER : THERMOPLASTIC

LINKPLEX TECHNOLOGY LIMITED

PART NAME		HIGH CURRENT DC POWER SOCKET		TOLERANCE UNLESS		0.0±0.2		UNIT:		DESIGN	T.Y.LI	DATE	30-1-2004	SCALE	3:1
PART NO.		LDC-002H-3		OTHERWISE SPECIFIED:		0.00±0.1		mm		DRAWING	H.Q.ZHOU	DATE	12-9-2016	MATERIAL	*
										CHECK	H.L.TAN	DATE	12-9-2016	DWG. NO.	TZ\DC002H-3-B/1.1
										APPROVAL		DATE	12-9-2016	SHEET	

F

E

D

C

B

A