

F

E

D

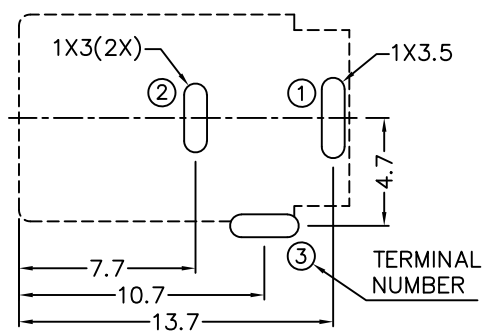
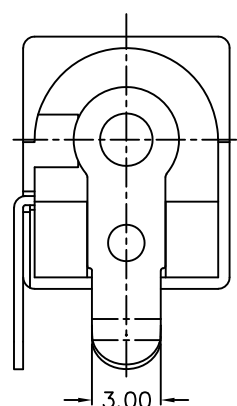
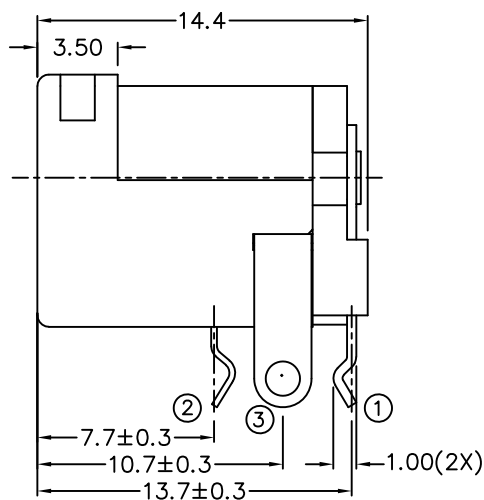
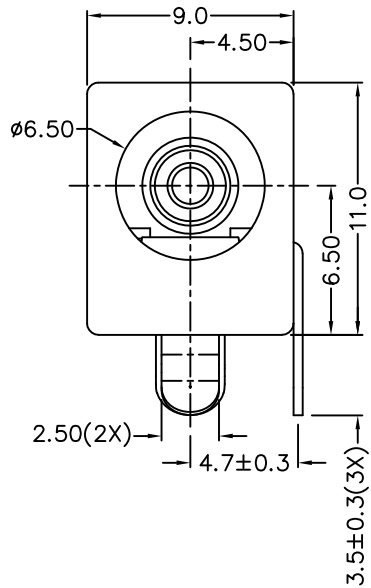
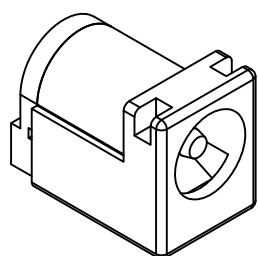
C

B

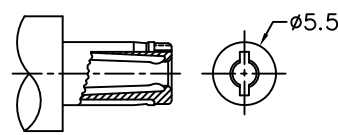
A

ZONE	SYMBOL	REVISION	APPROVAL	DATE

RoHS
Compliant



RECOMMENDED PCB LAYOUT
TOLERANCE: ±0.05
(TOP VIEW)



DC MATE PLUG

MODEL NO.	LDC-002H-2
SCHEMATIC	
CENTER PIN	ø1.65mm
	ø2mm
	ø2.35mm
	ø2.5mm

*** MATERIAL**

- CENTRE PIN : COPPER
- TERMINAL 1 : BRASS
- TERMINAL 2 : COPPER ALLOY
- TERMINAL 3 : BRASS
- HOUSING : THERMOPLASTIC
- COVER : THERMOPLASTIC

LINKPLEX TECHNOLOGY LIMITED

DESIGN	T.Y.LI	DATE	30-1-2004	SCALE	3:1
DRAWING	H.Q.ZHOU	DATE	9-9-2016	MATERIAL	*
CHECK	H.L.TAN	DATE	9-9-2016	DWG. NO.	TZ\DC002H-2-B/1.1
APPROVAL		DATE	9-9-2016	SHEET	

PART NAME	HIGH CURRENT DC POWER SOCKET	TOLERANCE UNLESS	0.0±0.2	UNIT:	
PART NO.	LDC-002H-2	OTHERWISE SPECIFIED:	0.00±0.1 0.000±0.05	mm	

F

E

D

C

B

A