

F

E

D

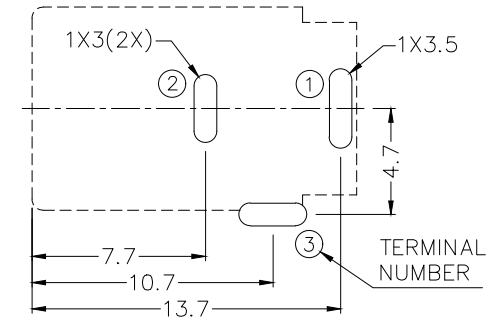
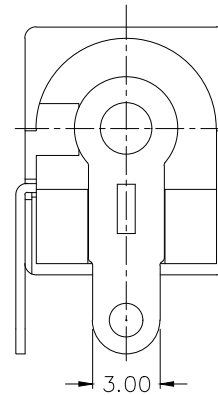
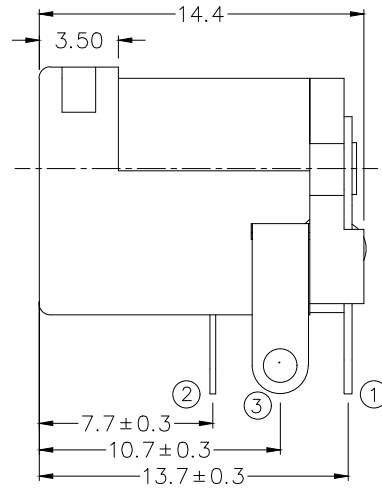
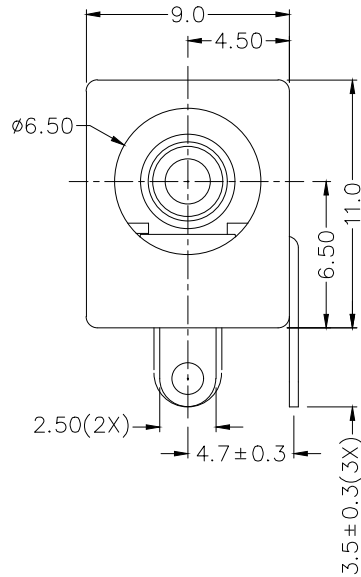
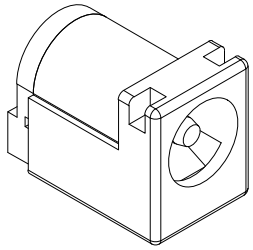
C

B

A

ZONE	SYMBOL	REVISION	APPROVAL	DATE

RoHS
Compliant

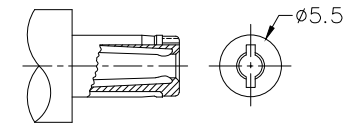


RECOMMENDED PCB LAYOUT
TOLERANCE: ± 0.05
(TOP VIEW)

MODEL NO.	LDC-002H-1
SCHEMATIC	
CENTER PIN	$\phi 1.65\text{mm}$
	$\phi 2\text{mm}$
	$\phi 2.5\text{mm}$

* MATERIAL

CENTRE PIN : COPPER
TERMINAL 1 : BRASS
TERMINAL 2 : COPPER ALLOY
TERMINAL 3 : BRASS
HOUSING : THERMOPLASTIC
COVER : THERMOPLASTIC



RECOMMENDED
DC MATING PLUG



LINKPLEX TECHNOLOGY LIMITED

DESIGN	T.Y.LI	DATE	30-1-2004	SCALE	3:1
DRAWING	J.H.ZHOU	DATE	9-9-2016	MATERIAL	*
CHECK	H.L.TAN	DATE	9-9-2016	DWG. NO.	TZ\DC002H-1-B/1.0
APPROVAL		DATE	9-9-2016	SHEET	1/1
PART NAME	HIGH CURRENT DC POWER SOCKET		TOLERANCE UNLESS	0.0±0.2 0.00±0.1	UNIT:
PART NO.	LDC-002H-1		OTHERWISE SPECIFIED:	0.000±0.05	mm

F

E

D

C

B

A