

F

E

D

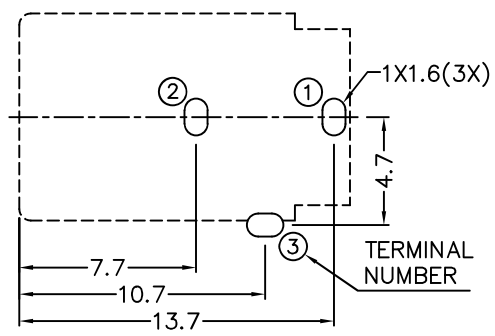
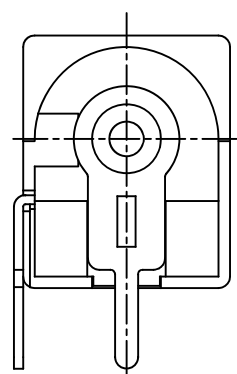
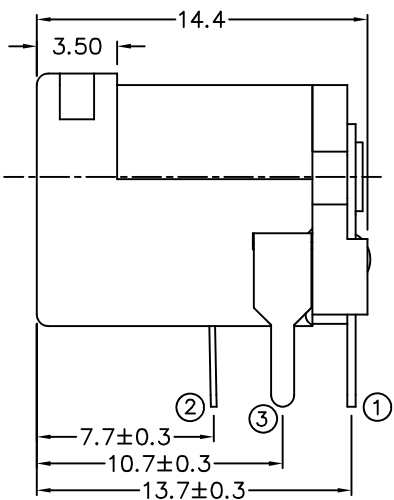
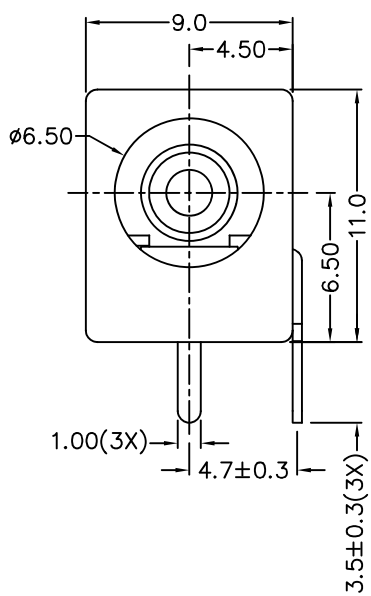
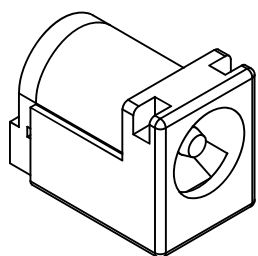
C

B

A

ZONE	SYMBOL	REVISION	APPROVAL	DATE

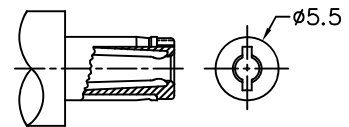
**RoHS**  
Compliant



RECOMMENDED PCB LAYOUT  
TOLERANCE: ±0.05  
(TOP VIEW)

MODEL NO.	LDC-002-3
SCHEMATIC	
CENTER PIN	ø1.65mm
	ø2mm
	ø2.5mm

\* MATERIAL  
 CENTRE PIN : COPPER  
 TERMINAL 1 : BRASS  
 TERMINAL 2 : COPPER ALLOY  
 TERMINAL 3 : BRASS  
 HOUSING : THERMOPLASTIC  
 COVER : THERMOPLASTIC



RECOMMENDED  
DC MATING PLUG

**LINKPLEX TECHNOLOGY LIMITED**

DESIGN	T.Y.LI	DATE	30-1-2004	SCALE	3:1
DRAWING	N.X.LIU	DATE	9-8-2022	MATERIAL	*
CHECK	J.X.KUANG	DATE	9-8-2022	DWG. NO.	TZ\DC002-3-B/1.0
APPROVAL		DATE		SHEET	1/1

PART NAME	DC POWER SOCKET	TOLERANCE UNLESS	0.0±0.2	UNIT:
PART NO.	LDC-002-3	OTHERWISE SPECIFIED:	0.00±0.1 0.000±0.05	

F

E

D

C

B

A