

F

E

D

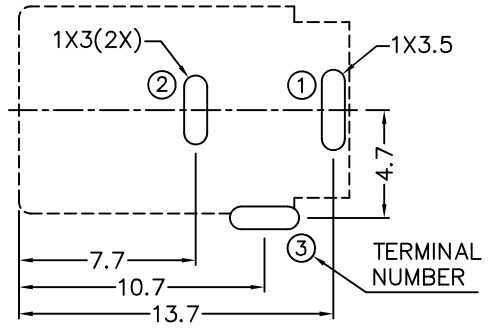
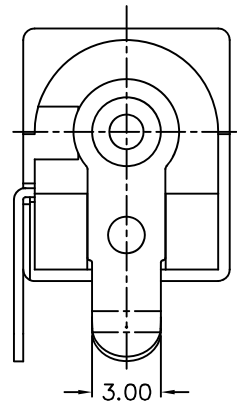
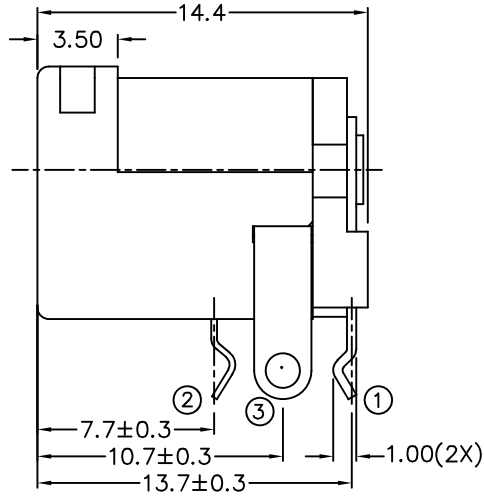
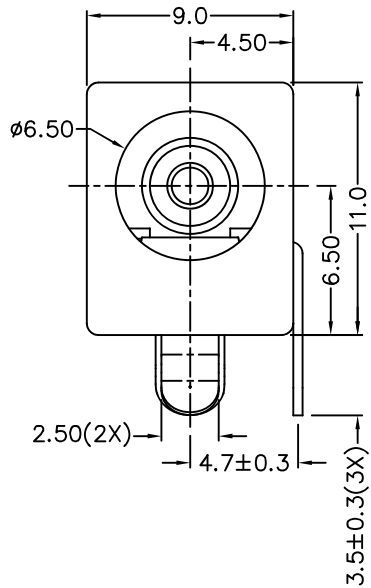
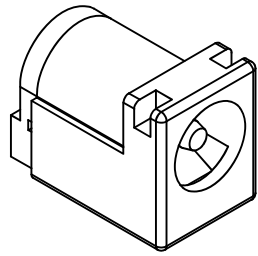
C

B

A

ZONE	SYMBOL	REVISION	APPROVAL	DATE

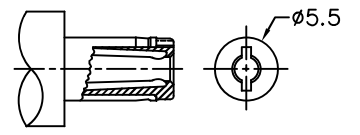
RoHS
Compliant



RECOMMENDED PCB LAYOUT
TOLERANCE: ±0.05
(TOP VIEW)

MODEL NO.	LDC-002-2
SCHEMATIC	
CENTER PIN	ø1.65mm
	ø2mm
	ø2.5mm

*** MATERIAL**
 CENTRE PIN : COPPER
 TERMINAL 1 : BRASS
 TERMINAL 2 : COPPER ALLOY
 TERMINAL 3 : BRASS
 HOUSING : THERMOPLASTIC
 COVER : THERMOPLASTIC



RECOMMENDED
DC MATING PLUG

LINKPLEX TECHNOLOGY LIMITED

DESIGN	J.M.KWAN	DATE	16-1-2004	SCALE	3:1
DRAWING	N.X.LIU	DATE	9-8-2022	MATERIAL	*
CHECK	T.Y.LI	DATE	9-8-2022	DWG. NO.	TZ\DC002-2-B/1.0
APPROVAL		DATE		SHEET	1/1

PART NAME	DC POWER SOCKET	TOLERANCE UNLESS	0.0±0.2	UNIT:
PART NO.	LDC-002-2	OTHERWISE SPECIFIED:	0.00±0.1 0.000±0.05	

F

E

D

C

B

A