

F

E

D

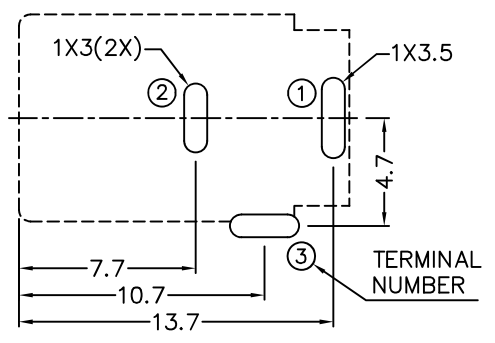
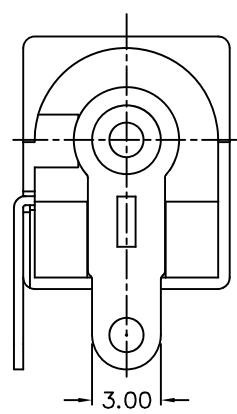
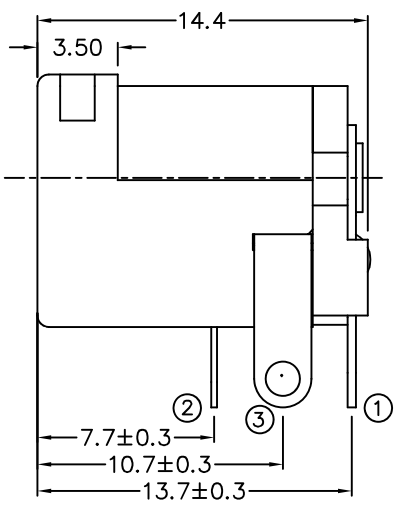
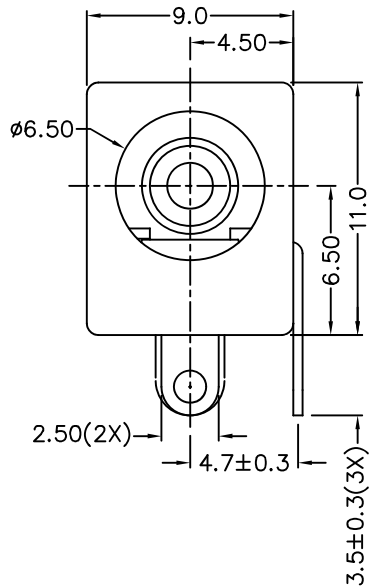
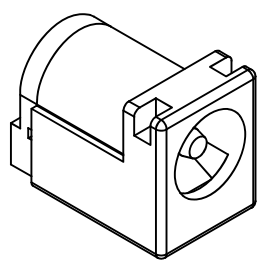
C

B

A

| ZONE | SYMBOL | REVISION | APPROVAL | DATE |
|------|--------|----------|----------|------|
|      |        |          |          |      |
|      |        |          |          |      |
|      |        |          |          |      |

**RoHS**  
Compliant

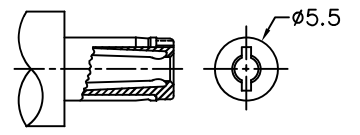


RECOMMENDED PCB LAYOUT  
TOLERANCE: ±0.05  
(TOP VIEW)

|            |           |
|------------|-----------|
| MODEL NO.  | LDC-002-1 |
| SCHEMATIC  |           |
| CENTER PIN | ø1.65mm   |
|            | ø2mm      |
|            | ø2.5mm    |

**\* MATERIAL**

- CENTRE PIN : COPPER
- TERMINAL 1 : BRASS
- TERMINAL 2 : COPPER ALLOY
- TERMINAL 3 : BRASS
- HOUSING : THERMOPLASTIC
- COVER : THERMOPLASTIC



RECOMMENDED  
DC MATING PLUG

**LINKPLEX TECHNOLOGY LIMITED**

|          |           |      |            |          |                  |
|----------|-----------|------|------------|----------|------------------|
| DESIGN   | T.Y.LI    | DATE | 18-10-2005 | SCALE    | 3:1              |
| DRAWING  | N.X.LIU   | DATE | 9-8-2022   | MATERIAL | *                |
| CHECK    | J.X.KUANG | DATE | 9-8-2022   | DWG. NO. | TZ\DC002-1-B/1.0 |
| APPROVAL |           | DATE |            | SHEET    | 1/1              |

|           |                 |                      |                        |       |
|-----------|-----------------|----------------------|------------------------|-------|
| PART NAME | DC POWER SOCKET | TOLERANCE UNLESS     | 0.0±0.2                | UNIT: |
| PART NO.  | LDC-002-1       | OTHERWISE SPECIFIED: | 0.00±0.1<br>0.000±0.05 |       |

F

E

D

C

B

A